

NOLAN
NOLAN



Call the Nolan Sales Team on
0845 409 5805

Head Office
Unit 1, St Ivel, Llanstephan Road, Johnstown, Carmarthen SA31 3BP

Cardiff Showroom
166 Richmond Road, Roath, Cardiff CF24 3BX

www.nolanupvc.co.uk



ALUMINIUM

Folding / Sliding Door

Folding / Sliding doors help you to create an open, flexible and modern space for both living and working environments.



Advanced plus
system

NOLAN
NOLAN



www.nolanupvc.co.uk

Folding / Sliding Door



Let our Folding/Sliding doors transform the way you live your life. Whether you choose to relax in a stylish open plan living area or you want to create beautifully panoramic views from any room, Folding/Sliding doors from the Beaufort Range provide you with versatility and flexibility you need to create a relaxing and ambient environment.

Design Features

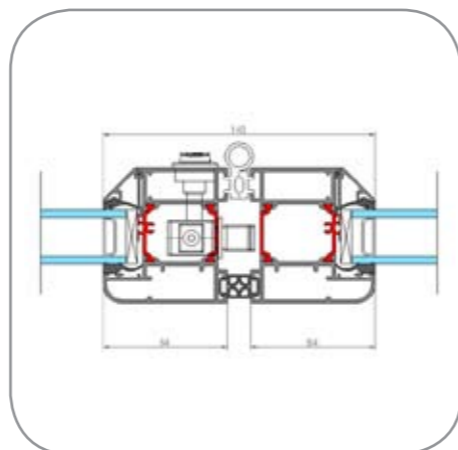
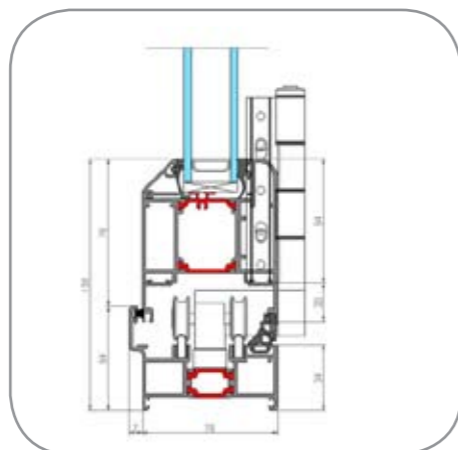
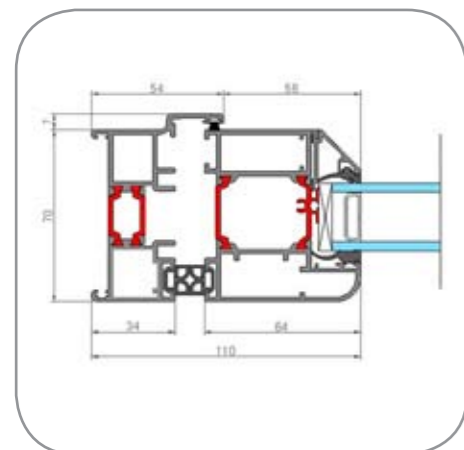
- Internally beaded with a softline detail to all external doors and panels
- Chamfered and square bead options
- 4 stainless steel wheels ensures smooth and consistent operation
- Unique, flush line pop-out handle that allows maximum door opening
- Low threshold option with a 15mm step height (Part M – Building Regulation)



Jamb Detail

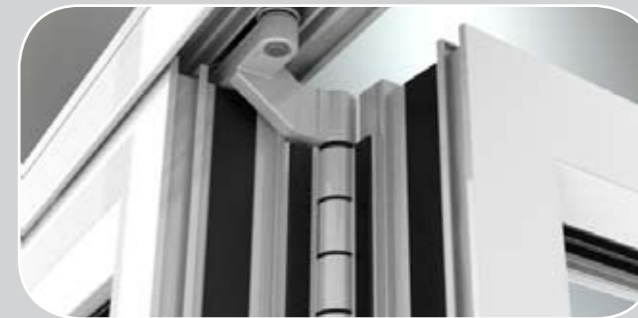
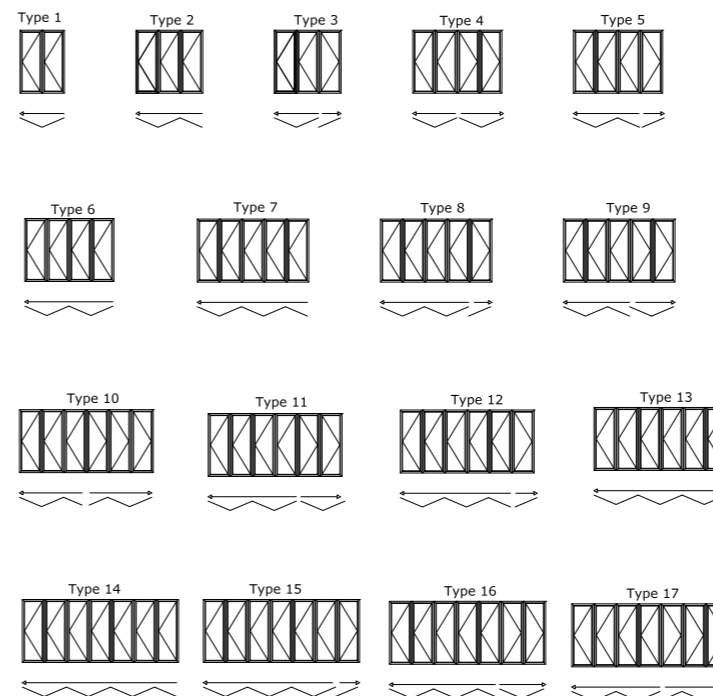
Cill Detail

Interlock Detail



Configurations

Available in a range of styles and designs, panels can be stacked inside or outside of the room, to the left, right or split to stack on both sides. Door sets can be manufactured to slide around segmented curves and can even replace entire walls to maximise your opening space.



Options

- Doors and panels can be used in any configuration, style and design
- All configurations are available in both open-in and open-out options
- Full range of suited hardware available
- Glazing sizing range of 24mm – 36mm
- Available in any single RAL colour or dual colour option

Performance

- High security hinges and locking mechanisms as standard
- Shootbolts top and bottom of the interlocks for enhanced security
- Unique high strength roller design for increased weight capacity
- Dedicated Bottom bogey guide for consistent operation and increased security
- Double Track threshold allowing greater stability
- Door U Value 1.7 w/m² K

Sizing

Minimum Width	Maximum Width
1600mm	6500mm**
Minimum Height	Maximum Height
1600mm	3000mm**
Maximum Sash Weight	
100kgs**	

Variations

Individual panel width not to exceed 1000mm
Panels heights, widths and weights are dependant on style and design.

**The sizes detailed above are for guidance only.

Please contact the Beaufort technical office for further details.